

Water-circulating pumps with DC motors

Application

Please contact us if the pumps are to be used for fluids other than water.

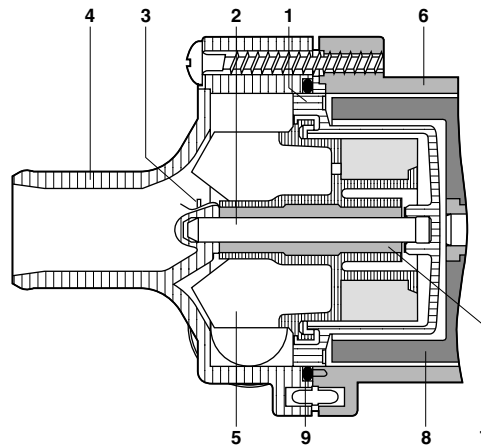
Type

Centrifugal pumps with magnetic coupling, no seal between motor and pump, therefore leak-free.

Note!

These water-circulating pumps are not self-priming.

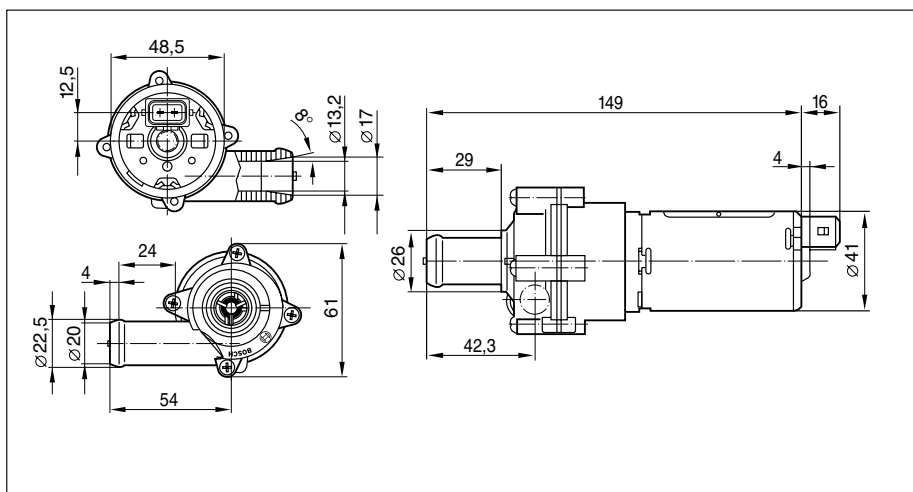
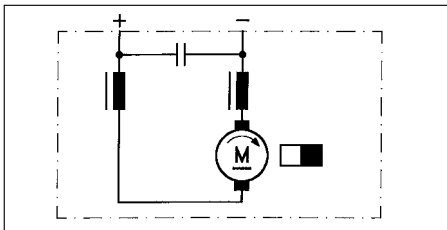
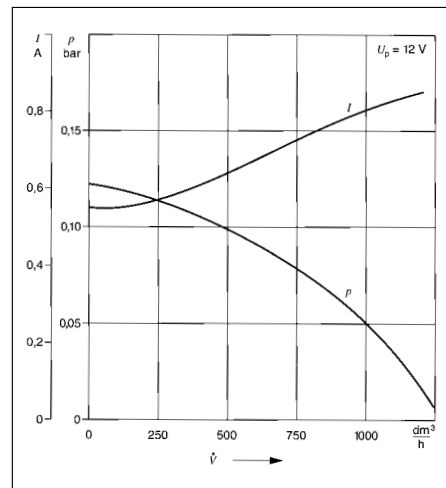
1 Pump housing (polyetherimide with glass fibers). 2 Bearing pin (stainless steel). 3 Thrust ring (stainless steel). 4 Pump housing (polyamide 66, by choice polyetherimide with glass fiber). 5 Impeller (plasto-ferrite). 6 Pump housing (polyamide 6 with mineral fibers and short glass fibers). 7 Bearing bush (resin-bonded carbon). 8 Magnet (plasto-ferrite). 9 O-Ring (soft silicone rubber, by choice EPDM).



PAA

12 V

Nominal voltage	U_N	12 V
Delivery	\dot{V}	500 dm ³ · h ⁻¹
Delivery pressure	p	0.1 bar
Direction of rotation		R
Type of duty		S 1
Degree of protection		IP 5 K 0
Weight		approx. 0.4 kg
Part number		0 392 020 024

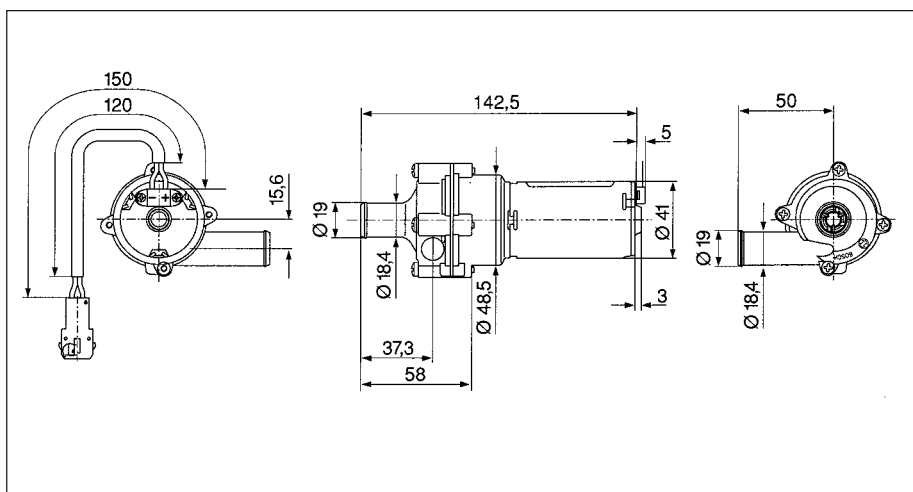
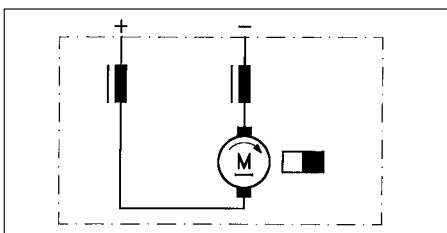
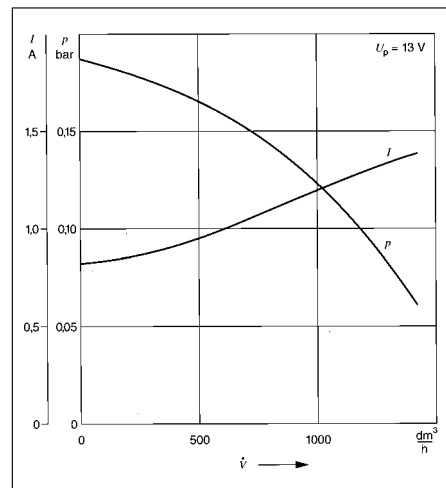


PAA

12 V

Nominal voltage	U_N	12 V
Delivery	\dot{V}	1200 dm ³ · h ⁻¹
Delivery pressure	p	0.1 bar
Direction of rotation		R
Type of duty		S 1
Degree of protection		IP 5 K 4*
Weight		approx. 0.5 kg
Part number		0 392 020 064

* Applies only with receptacle housing in place

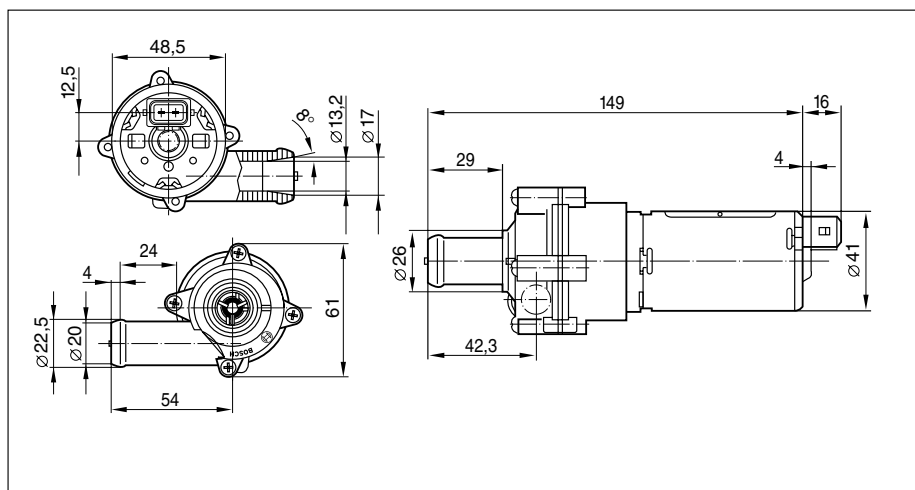
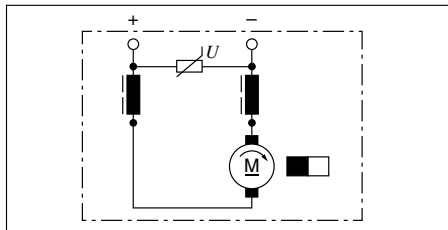
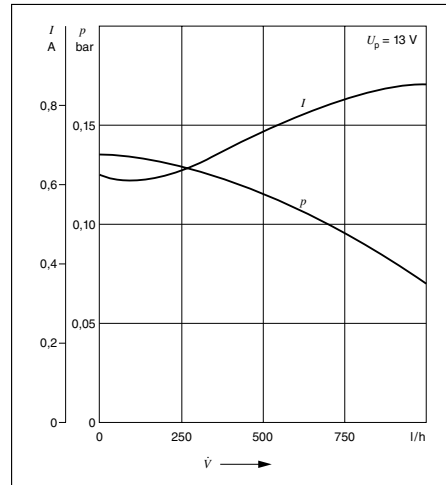


PAA

12 V

Nominal voltage	U_N	12 V
Delivery	\dot{V}	530 dm ³ · h ⁻¹
Delivery pressure	p	0.1 bar
Direction of rotation		R
Type of duty		S 1
Degree of protection		IP 5 K 4*
Weight		approx. 0.4 kg
Part number		0 392 020 039

* Applies only with receptacle housing in place

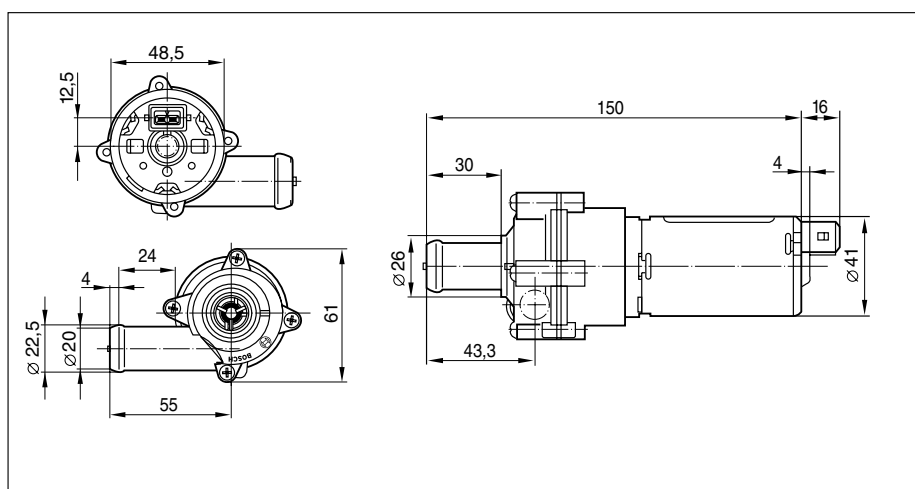
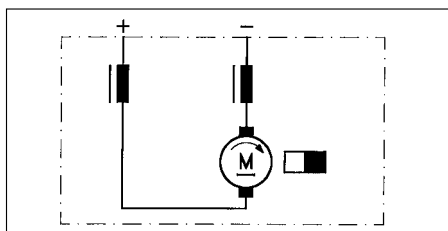
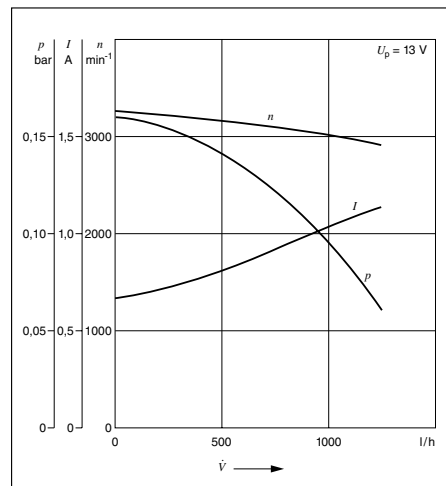


PAA

12 V

Nominal voltage	U_N	12 V
Delivery	\dot{V}	750 dm ³ · h ⁻¹
Delivery pressure	p	0.1 bar
Direction of rotation		R
Type of duty		S 1
Degree of protection		IP 5 K 4*
Weight		approx. 0.4 kg
Part number		0 392 020 034

* Applies only with receptacle housing in place

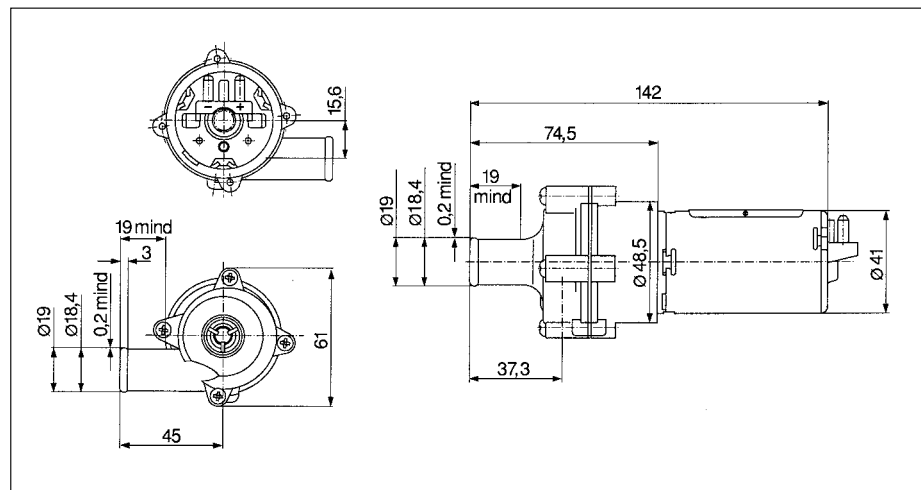
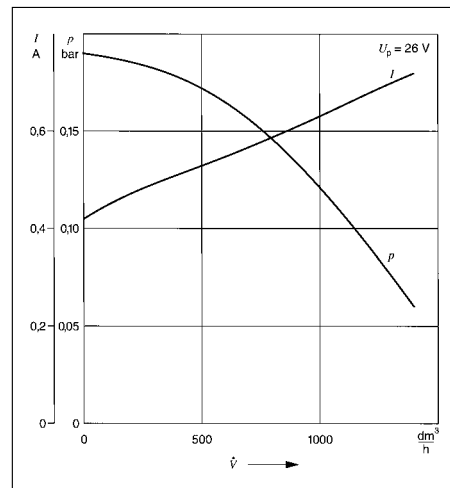
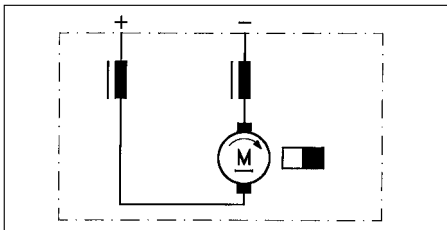


PAA

24 V

Nominal voltage	U_N	24 V
Delivery	\dot{V}	1100 dm ³ · h ⁻¹
Delivery pressure	p	0.1 bar
Direction of rotation		R
Type of duty		S 1
Degree of protection		IP 5 K 4*
Weight		approx. 0.45 kg
Part number		0 392 020 027

* Applies only with receptacle housing in place

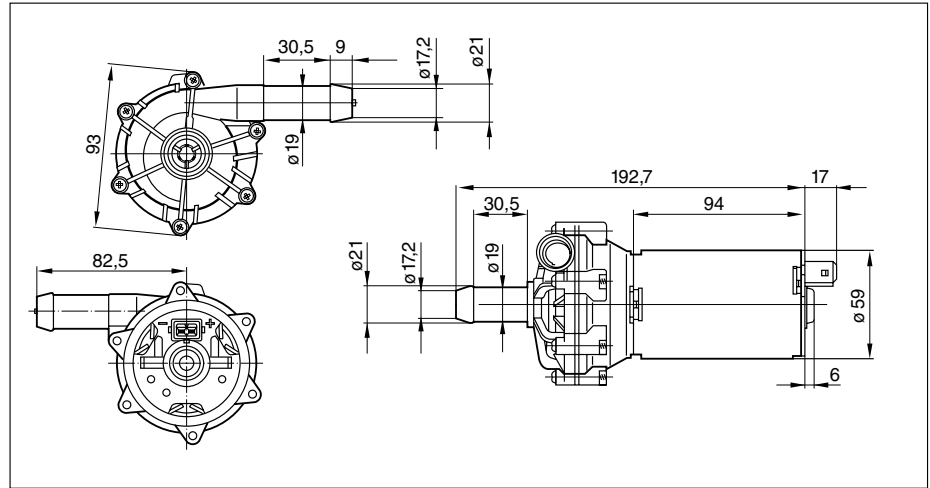
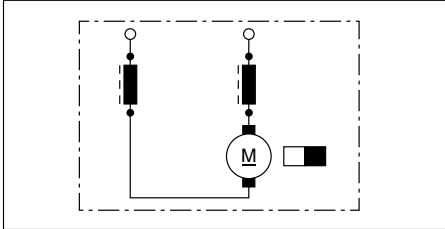
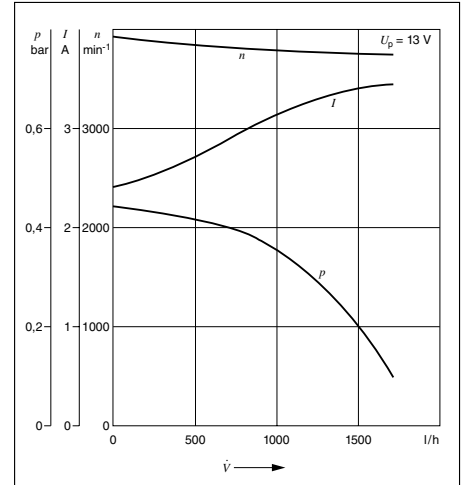


PCA

12 V

Nominal voltage	U_N	12 V
Delivery	\dot{V}	1200 dm ³ · h ⁻¹
Delivery pressure	p	0.3 bar
Direction of rotation		R
Type of duty		S 1
Degree of protection		IP 5 K 4*
Weight		approx. 1.0 kg
Part number		0 392 022 002

* Applies only with receptacle housing in place

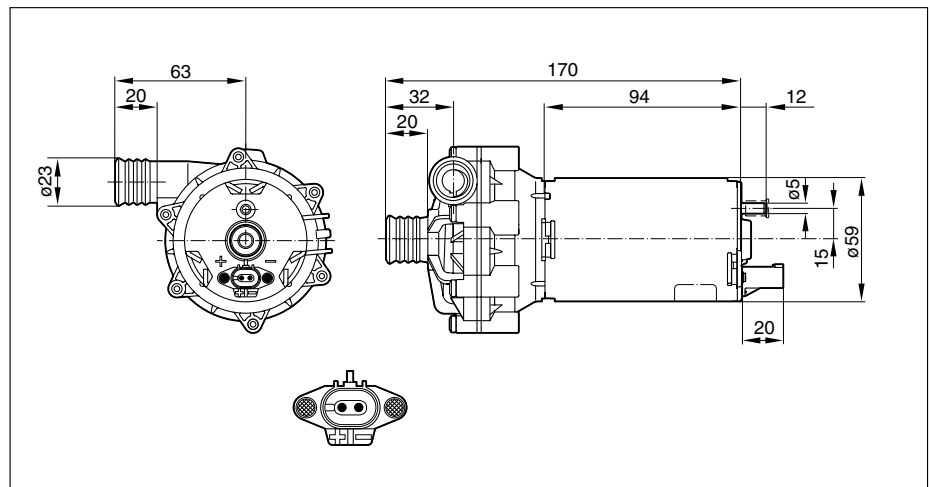
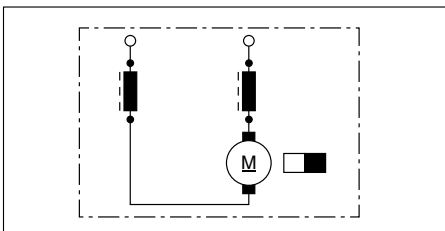
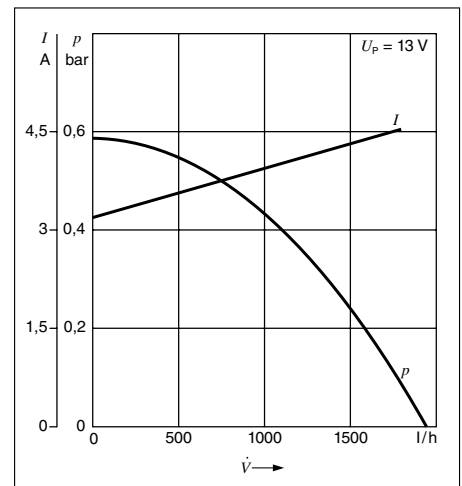


PCA

12 V

Nominal voltage	U_N	12 V
Delivery	\dot{V}	1200 dm ³ · h ⁻¹
Delivery pressure	p	0.3 bar
Direction of rotation		R
Type of duty		S 1
Degree of protection		IP 5 K 4*
Weight		approx. 1.0 kg
Part number		0 392 022 003

* Applies only with receptacle housing in place

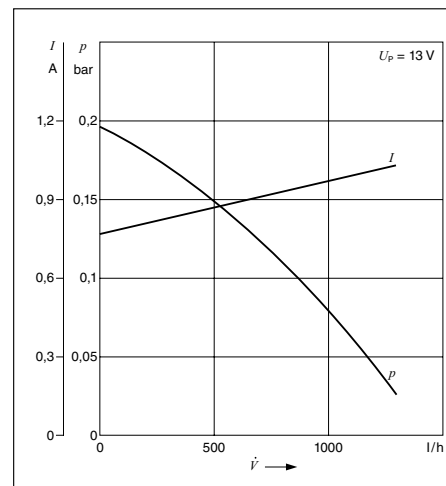


PAD

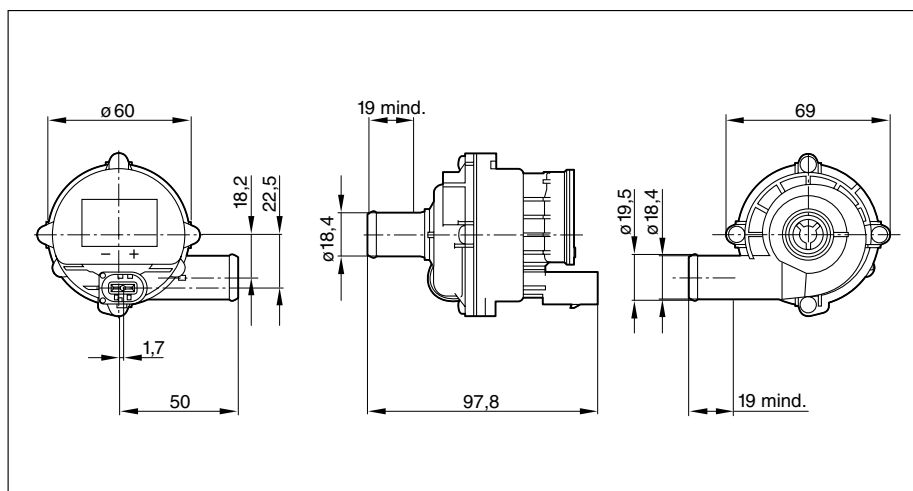
Water-circulating pump driven by brushless motor

12 V

Nominal voltage	U_N	12 V
Delivery	\dot{V}	850...1050 dm ³ · h ⁻¹
Delivery pressure	p	0.1 bar
Direction of rotation		R
Type of duty		S 1
Degree of protection		IP 54
Weight		approx. 0.25 kg
Part number		0 392 023 004



Circuit diagram for connection please contact us



This is a centrifugal water pump driven by a brushless permanent-magnet electric motor. Armature torque is transferred to the pump's impeller wheel by means of magnetic connection through a permanent-magnet coupling.

The advantages of the PAD auxiliary water pump compared to pumps operating with carbon brushes are as follows:

- Reduced length
- Less weight
- Increased service life
- Less noise

Important information concerning pump operation

1. Pump can be fitted in any position from horizontal to vertical.
2. Pump stage at the bottom.
3. Before taking the pump into operation it must be vented, or filled completely with the liquid to be pumped.